

Корпусные стирально-отжимные машины с жестким креплением серии ВС

По вопросам продажи и поддержки обращайтесь:

Архангельск (8182)63-90-72
Астрахань (8512)99-46-04
Барнаул (3852)73-04-60
Белгород (4722)40-23-64
Брянск (4832)59-03-52
Владивосток (423)249-28-31
Волгоград (844)278-03-48
Вологда (8172)26-41-59
Воронеж (473)204-51-73
Екатеринбург (343)384-55-89
Иваново (4932)77-34-06

Ижевск (3412)26-03-58
Иркутск (395)279-98-46
Казань (843)206-01-48
Калининград (4012)72-03-81
Калуга (4842)92-23-67
Кемерово (3842)65-04-62
Киров (8332)68-02-04
Краснодар (861)203-40-90
Красноярск (391)204-63-61
Курск (4712)77-13-04
Липецк (4742)52-20-81

Магнитогорск (3519)55-03-13
Москва (495)268-04-70
Мурманск (8152)59-64-93
Набережные Челны (8552)20-53-41
Нижний Новгород (831)429-08-12
Новокузнецк (3843)20-46-81
Новосибирск (383)227-86-73
Омск (3812)21-46-40
Орел (4862)44-53-42
Оренбург (3532)37-68-04
Пенза (8412)22-31-16

Пермь (342)205-81-47
Ростов-на-Дону (863)308-18-15
Рязань (4912)46-61-64
Самара (846)206-03-16
Санкт-Петербург (812)309-46-40
Саратов (845)249-38-78
Севастополь (8692)22-31-93
Симферополь (3652)67-13-56
Смоленск (4812)29-41-54
Сочи (862)225-72-31
Ставрополь (8652)20-65-13

Сургут (3462)77-98-35
Тверь (4822)63-31-35
Томск (3822)98-41-53
Тула (4872)74-02-29
Тюмень (3452)66-21-18
Ульяновск (8422)24-23-59
Уфа (347)229-48-12
Хабаровск (4212)92-98-04
Челябинск (351)202-03-61
Череповец (8202)49-02-64
Ярославль (4852)69-52-93

Киргизия (996)312-96-26-47

Казахстан (7273)495-231

Таджикистан (992)427-82-92-69

Единый адрес для всех регионов: psq@nt-rt.ru || <https://ipso.nt-rt.ru/>



HIGH-EFFICIENT HARD-MOUNT INDUSTRIAL WASHER-EXTRACTOR

BC20

9KG

Maximized throughput, minimized costs. That's what busy on-premises laundries demand. IPSO hard-mount washer-extractors deliver those results, while producing exceptional finished wash quality. In addition, their durability ensures the machines will be consistent laundry performers for years to come.

STRENGTH

Our computer-optimized, heavy-duty frame is lighter, lasts longer, balances loads more efficiently, and reduces sound and vibration levels. IPSO washer-extractors also boast two triple-lip seals and an excluder-face seal for seven layers of bearing protection.

POWER

Proprietary inverter-drive technology provides smooth, reliable power, saving you 33% on electricity while maximizing cleaning power. Our inverter also exerts 200 G-Force extraction to remove more moisture from loads and reduce drying time.

PERFORMANCE

Available in a variety of capacities. IPSO cabinet hard-mount washer-extractors also offer a variety of control options to match your operation's unique requirements.



MODEL		BC20	
CONTROL OPTION		Aries Micro OPL Aries Micro VEND	
CAPACITY - kg		9	
OVERALL WIDTH - mm		660	
*OVERALL DEPTH - mm		767	
OVERALL HEIGHT - mm		1092	
CYLINDER DIAMETER - mm		533	
CYLINDER DEPTH - mm		349	
CYLINDER VOLUME - liters		78.1	
DOOR OPENING SIZE - mm		295	
DOOR BOTTOM TO FLOOR - mm		365	
WATER INLET CONNECTION - mm		9	
DRAIN DIAMETER - mm		52	
DRAIN HEIGHT TO FLOOR - mm		114	
MOTOR POWER CONSUMPTION - kw		1 (.75)	
TOTAL # OF SPEEDS		6, 9	
CYLINDER SPEEDS - RPM (G-FORCE)	Gentle	37 (0.4)	
	Wash	51 (.8)	
	Distribution	92 (2.5)	
	Very Low	301 (27)	
	Low	518 (80)	
	Medium	580 (100)	
	** High	648 (120)	
	**Very High	710 (150)	
**Ultra High	819 (200)		
*** VOLTAGE/ CIRCUIT BREAKER - FLA	B	120/60/1	15-8
	X	200-208/220- 240/50/60/1/3	15-4 (1 Ph) 15-3 (3 Ph)
	Q	200-208/220-240/50/60/3	15-3
	N	440-480/50/60/3	15-2
	P	380-415/50/60/3	15-2
SHIPPING DIMENSIONS APPROX. - mm	Width	711	
	Depth	859	
	Height	1229	
NET WEIGHT - kg		152	
SHIPPING WEIGHT - kg		166	
SLAT CRATE SHIPPING WEIGHT - kg		204	
****AGENCY APPROVALS		cETL _{US} , CE	

*Overall depth includes vacuum breaker to door handle.

**High, Very High, and Ultra High Spin Speeds are available on the Aries Micro OPL models only.

***Circuit breaker and amp draw data shown are for models without electric heat. Consult factory for other configurations. Manufacturer strongly recommends using a circuit breaker instead of fuses. Use 3-pole circuit breakers for 3-phase machines.

****Agency approvals may vary depending on configuration. Consult factory for details. Steam connection requires 1/2" N.P.T.

For the most accurate information, the installation guide should be used for all design and construction purposes. Due to continuous product improvements, design and specifications subject to change without notice. The quality management system of Alliance Laundry Systems has been registered to ISO 9001.

Aries Micro OPL

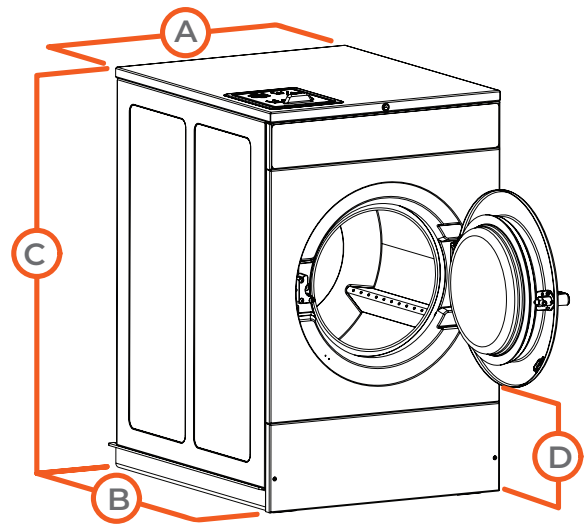


Customize your washing power with the ability to choose between three water levels while eliminating wasted water with advanced leak detection. PC programming, audit data retrieval and advanced diagnostics save time, while 200 G-Force extraction speeds reduce drying time and utility consumption.

Aries Micro VEND



For laundry managers requiring basic management options, Aries Micro VEND offers a 100 or 200 G-Force extraction speed, 4 cycle selections, 30 water levels, 2 cycle modifiers (Extra wash, Extra rinse) and manual programming.



MODEL	BC20
A. OVERALL WIDTH - mm	660
B. *OVERALL DEPTH - mm	767
C. OVERALL HEIGHT - mm	1092
D. DOOR BOTTOM TO FLOOR - mm	365



HIGH-EFFICIENT HARD-MOUNT INDUSTRIAL WASHER-EXTRACTOR

BC30

13,6KG

Maximized throughput, minimized costs. That's what busy on-premises laundries demand. IPSO hard-mount washer-extractors deliver those results, while producing exceptional finished wash quality. In addition, their durability ensures the machines will be consistent laundry performers for years to come.

STRENGTH

Our computer-optimized, heavy-duty frame is lighter, lasts longer, balances loads more efficiently, and reduces sound and vibration levels. IPSO washer-extractors also boast two triple-lip seals and an excluder-face seal for seven layers of bearing protection.

POWER

Proprietary inverter-drive technology provides smooth, reliable power, saving you 33% on electricity while maximizing cleaning power. Our inverter also exerts 200 G-Force extraction to remove more moisture from loads and reduce drying time.

PERFORMANCE

Available in a variety of capacities. IPSO cabinet hard-mount washer-extractors also offer a variety of control options to match your operation's unique requirements.



MODEL		BC30
CONTROL OPTION		Aries Micro OPL Aries Micro VEND
CAPACITY - kg		13.6
OVERALL WIDTH - mm		737
*OVERALL DEPTH - mm		878
OVERALL HEIGHT - mm		1142
CYLINDER DIAMETER - mm		610
CYLINDER DEPTH - mm		406
CYLINDER VOLUME - liters		118
DOOR OPENING SIZE - mm		364
DOOR BOTTOM TO FLOOR - mm		356
WATER INLET CONNECTION - mm		19
DRAIN DIAMETER - in (mm)		52
DRAIN HEIGHT TO FLOOR - mm		114
MOTOR POWER CONSUMPTION - hp (kw)		1 (.75)
TOTAL # OF SPEEDS		6, 9
CYLINDER SPEEDS - RPM (G-FORCE)	Gentle	34 (0.4)
	Wash	48 (.8)
	Distribution	86 (2.5)
	Very Low	282 (27)
	Low	485 (80)
	Medium	542 (100)
	** High	606 (120)
	**Very High	664 (150)
*** VOLTAGE/ CIRCUIT BREAKER - FLA	B	120/60/1 20-16
	X	200-208/220-240/50/60/1/3 15-6 (1 Ph) 15-4 (3 Ph)
	Q	200-208/220-240/50/60/3 15-4
	N	440-480/50/60/3 15-3
	P	380-415/50/60/3 15-3
	SHIPPING DIMENSIONS APPROX. - mm	
NET WEIGHT - kg		209
SHIPPING WEIGHT - kg		225
SLAT CRATE SHIPPING WEIGHT - kg		268
****AGENCY APPROVALS		cETL _{US} , CE

*Overall depth includes vacuum breaker to door handle.

**High, Very High, and Ultra High Spin Speeds are available on the Aries Micro OPL models only.

***Circuit breaker and amp draw data shown are for models without electric heat. Consult factory for other configurations. Manufacturer strongly recommends using a circuit breaker instead of fuses. Use 3-pole circuit breakers for 3-phase machines.

****Agency approvals may vary depending on configuration. Consult factory for details. Steam connection requires 1/2" N.P.T.

For the most accurate information, the installation guide should be used for all design and construction purposes. Due to continuous product improvements, design and specifications subject to change without notice. The quality management system of Alliance Laundry Systems has been registered to ISO 9001.

Aries Micro OPL

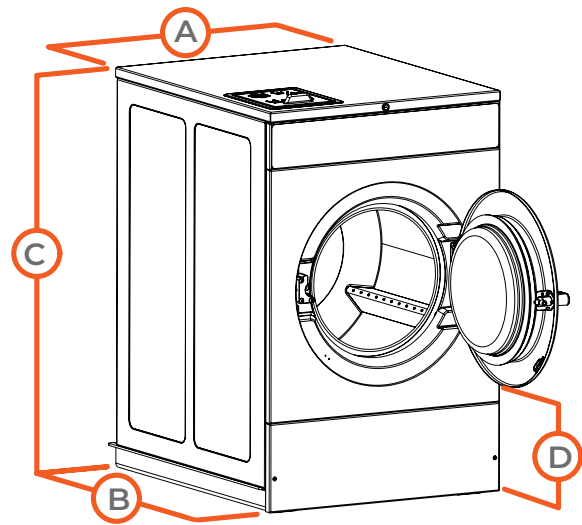


Customize your washing power with the ability to choose between three water levels while eliminating wasted water with advanced leak detection. PC programming, audit data retrieval and advanced diagnostics save time, while 200 G-Force extraction speeds reduce drying time and utility consumption.

Aries Micro VEND



For laundry managers requiring basic management options, Aries Micro VEND offers a 100 or 200 G-Force extraction speed, 4 cycle selections, 30 water levels, 2 cycle modifiers (Extra wash, Extra rinse) and manual programming.



MODEL	BC30
A. OVERALL WIDTH - in (mm)	737
B. *OVERALL DEPTH - in (mm)	878
C. OVERALL HEIGHT - in (mm)	1142
D. DOOR BOTTOM TO FLOOR - in (mm)	356



HIGH-EFFICIENT HARD-MOUNT INDUSTRIAL WASHER-EXTRACTOR

BC40

18KG

Maximized throughput, minimized costs. That's what busy on-premises laundries demand. IPSO hard-mount washer-extractors deliver those results, while producing exceptional finished wash quality. In addition, their durability ensures the machines will be consistent laundry performers for years to come.

STRENGTH

Our computer-optimized, heavy-duty frame is lighter, lasts longer, balances loads more efficiently, and reduces sound and vibration levels. IPSO washer-extractors also boast two triple-lip seals and an excluder-face seal for seven layers of bearing protection.

POWER

Proprietary inverter-drive technology provides smooth, reliable power, saving you 33% on electricity while maximizing cleaning power. Our inverter also exerts 200 G-Force extraction to remove more moisture from loads and reduce drying time.

PERFORMANCE

Available in a variety of capacities. IPSO cabinet hard-mount washer-extractors also offer a variety of control options to match your operation's unique requirements.



MODEL		BC40
CONTROL OPTION		Aries Micro OPL Aries Micro VEND
CAPACITY - kg		18
OVERALL WIDTH - mm		778
*OVERALL DEPTH - mm		1009
OVERALL HEIGHT - mm		1199
CYLINDER DIAMETER - mm		667
CYLINDER DEPTH - mm		514
CYLINDER VOLUME - liters		180
DOOR OPENING SIZE - mm		413
DOOR BOTTOM TO FLOOR - mm		368
WATER INLET CONNECTION - mm		19
DRAIN DIAMETER - mm		76
DRAIN HEIGHT TO FLOOR - mm		122
MOTOR POWER CONSUMPTION - hp (kw)		2 (1.7)
TOTAL # OF SPEEDS		6, 9
CYLINDER SPEEDS - RPM (G-FORCE)	Gentle	33 (0.4)
	Wash	46 (.8)
	Distribution	82 (2.5)
	Very Low	269 (27)
	Low	464 (80)
	Medium	518 (100)
	** High	579 (120)
	**Very High	635 (150)
*** VOLTAGE/ CIRCUIT BREAKER - FLA	B	120/60/1 20-16
	X	200-208/220-240/50/60/1/3 15-7 (1 Ph) 15-4 (3 Ph)
	Q	200-208/220-240/50/60/3 15-4
	N	440-480/50/60/3 15-3
	P	380-415/50/60/3 15-3
	SHIPPING DIMENSIONS APPROX. - mm	
NET WEIGHT - kg		249
SHIPPING WEIGHT - kg		268
SLAT CRATE SHIPPING WEIGHT - kg		313
****AGENCY APPROVALS		cETL-US, CE

*Overall depth includes vacuum breaker to door handle.

**High, Very High, and Ultra High Spin Speeds are available on the Aries Micro OPL models only.

***Circuit breaker and amp draw data shown are for models without electric heat. Consult factory for other configurations. Manufacturer strongly recommends using a circuit breaker instead of fuses. Use 3-pole circuit breakers for 3-phase machines.

****Agency approvals may vary depending on configuration. Consult factory for details. Steam connection requires 1/2" N.P.T.

For the most accurate information, the installation guide should be used for all design and construction purposes. Due to continuous product improvements, design and specifications subject to change without notice. The quality management system of Alliance Laundry Systems has been registered to ISO 9001.

Aries Micro OPL

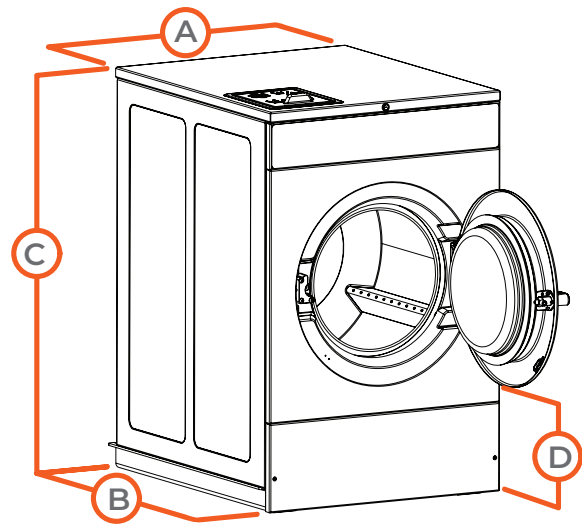


Customize your washing power with the ability to choose between three water levels while eliminating wasted water with advanced leak detection. PC programming, audit data retrieval and advanced diagnostics save time, while 200 G-Force extraction speeds reduce drying time and utility consumption.

Aries Micro VEND



For laundry managers requiring basic management options, Aries Micro VEND offers a 100 or 200 G-Force extraction speed, 4 cycle selections, 30 water levels, 2 cycle modifiers (Extra wash, Extra rinse) and manual programming.



MODEL	BC40
A. OVERALL WIDTH - mm	778
B. *OVERALL DEPTH - mm	1009
C. OVERALL HEIGHT - mm	1199
D. DOOR BOTTOM TO FLOOR - mm	368



HIGH-EFFICIENT HARD-MOUNT INDUSTRIAL WASHER-EXTRACTOR

BC60

27KG

Maximized throughput, minimized costs. That's what busy on-premises laundries demand. IPSO hard-mount washer-extractors deliver those results, while producing exceptional finished wash quality. In addition, their durability ensures the machines will be consistent laundry performers for years to come.

STRENGTH

Our computer-optimized, heavy-duty frame is lighter, lasts longer, balances loads more efficiently, and reduces sound and vibration levels. IPSO washer-extractors also boast two triple-lip seals and an excluder-face seal for seven layers of bearing protection.

POWER

Proprietary inverter-drive technology provides smooth, reliable power, saving you 33% on electricity while maximizing cleaning power. Our inverter also exerts 200 G-Force extraction to remove more moisture from loads and reduce drying time.

PERFORMANCE

Available in a variety of capacities. IPSO cabinet hard-mount washer-extractors also offer a variety of control options to match your operation's unique requirements.



MODEL		BC60	
CONTROL OPTION		Aries Micro OPL Aries Micro VEND	
CAPACITY - kg		27	
OVERALL WIDTH - mm		865	
*OVERALL DEPTH - mm		1081	
OVERALL HEIGHT - mm		1267	
CYLINDER DIAMETER - mm		762	
CYLINDER DEPTH - mm		559	
CYLINDER VOLUME - liters		255	
DOOR OPENING SIZE - mm		413	
DOOR BOTTOM TO FLOOR - mm		379	
WATER INLET CONNECTION - mm		19	
DRAIN DIAMETER - mm		76	
DRAIN HEIGHT TO FLOOR - mm		119	
MOTOR POWER CONSUMPTION - hp (kw)		3 (2.2)	
TOTAL # OF SPEEDS		6, 9	
CYLINDER SPEEDS - RPM (G-FORCE)	Gentle	31 (0.4)	
	Wash	43 (.8)	
	Distribution	77 (2.5)	
	Very Low	252 (27)	
	Low	434 (80)	
	Medium	485 (100)	
	** High	542 (120)	
	**Very High	594 (150)	
*** VOLTAGE/ CIRCUIT BREAKER - FLA	X	200-208/220- 240/50/60/1/3	15-10 (1 Ph) 15-6 (3 Ph)
	Q	200-208/220-240/50/60/3	15-6
	N	440-480/50/60/3	15-4
	P	380-415/50/60/3	15-4
SHIPPING DIMENSIONS APPROX. - mm	Width	953	
	Depth	1191	
	Height	1430	
NET WEIGHT - kg		315	
SHIPPING WEIGHT - kg		338	
SLAT CRATE SHIPPING WEIGHT - kg		390	
****AGENCY APPROVALS		cETL _{US} , CE	

*Overall depth includes vacuum breaker to door handle.

**High, Very High, and Ultra High Spin Speeds are available on the Aries Micro OPL models only.

***Circuit breaker and amp draw data shown are for models without electric heat. Consult factory for other configurations. Manufacturer strongly recommends using a circuit breaker instead of fuses. Use 3-pole circuit breakers for 3-phase machines.

****Agency approvals may vary depending on configuration. Consult factory for details. Steam connection requires 1/2" N.P.T.

For the most accurate information, the installation guide should be used for all design and construction purposes. Due to continuous product improvements, design and specifications subject to change without notice. The quality management system of Alliance Laundry Systems has been registered to ISO 9001.

Aries Micro OPL

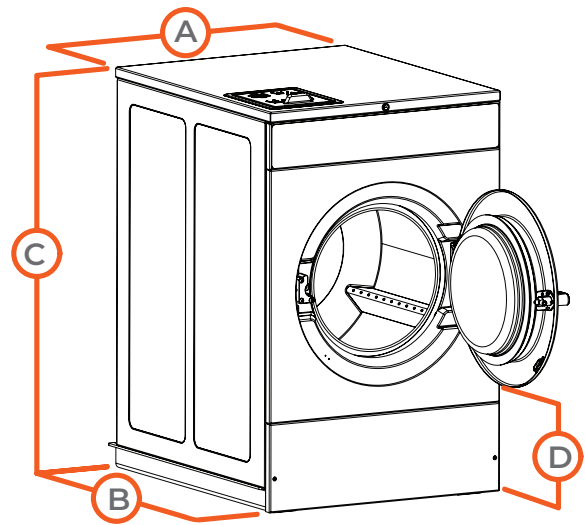


Customize your washing power with the ability to choose between three water levels while eliminating wasted water with advanced leak detection. PC programming, audit data retrieval and advanced diagnostics save time, while 200 G-Force extraction speeds reduce drying time and utility consumption.

Aries Micro VEND



For laundry managers requiring basic management options, Aries Micro VEND offers a 100 or 200 G-Force extraction speed, 4 cycle selections, 30 water levels, 2 cycle modifiers (Extra wash, Extra rinse) and manual programming.



MODEL	BC60
A. OVERALL WIDTH - mm	865
B. *OVERALL DEPTH - mm	1081
C. OVERALL HEIGHT - mm	1267
D. DOOR BOTTOM TO FLOOR - mm	379



HIGH-EFFICIENT HARD-MOUNT INDUSTRIAL WASHER-EXTRACTOR

BC80

36KG

Maximized throughput, minimized costs. That's what busy on-premises laundries demand. IPSO hard-mount washer-extractors deliver those results, while producing exceptional finished wash quality. In addition, their durability ensures the machines will be consistent laundry performers for years to come.

STRENGTH

Our computer-optimized, heavy-duty frame is lighter, lasts longer, balances loads more efficiently, and reduces sound and vibration levels. IPSO washer-extractors also boast two triple-lip seals and an excluder-face seal for seven layers of bearing protection.

POWER

Proprietary inverter-drive technology provides smooth, reliable power, saving you 33% on electricity while maximizing cleaning power. Our inverter also exerts 200 G-Force extraction to remove more moisture from loads and reduce drying time.

PERFORMANCE

Available in a variety of capacities. IPSO cabinet hard-mount washer-extractors also offer a variety of control options to match your operation's unique requirements.



MODEL		BC80	
CONTROL OPTION		Aries Micro OPL Aries Micro VEND	
CAPACITY - kg		36	
OVERALL WIDTH - mm		1054	
*OVERALL DEPTH - mm		1234	
OVERALL HEIGHT - mm		1426	
CYLINDER DIAMETER - mm		916	
CYLINDER DEPTH - mm		559	
CYLINDER VOLUME - liters		354	
DOOR OPENING SIZE - mm		470	
DOOR BOTTOM TO FLOOR - mm		455	
WATER INLET CONNECTION - mm		19	
DRAIN DIAMETER - mm		76	
DRAIN HEIGHT TO FLOOR - mm		145	
MOTOR POWER CONSUMPTION - hp (kw)		5 (3.7)	
TOTAL # OF SPEEDS		6, 9	
CYLINDER SPEEDS - RPM (G-FORCE)	Gentle	28 (0.4)	
	Wash	39 (.8)	
	Distribution	70 (2.5)	
	Very Low	230 (27)	
	Low	396 (80)	
	Medium	443 (100)	
	** High	495 (120)	
	**Very High	542 (150)	
*** VOLTAGE/ CIRCUIT BREAKER - FLA	X	200-208/220- 240/50/60/1/3	15-12 (1 Ph) 15-8 (3 Ph)
	Q	200-208/220-240/50/60/3	15-8
	N	440-480/50/60/3	15-5
	P	380-415/50/60/3	15-5
SHIPPING DIMENSIONS APPROX. - mm	Width	1118	
	Depth	1384	
	Height	1488	
NET WEIGHT - kg		549	
SHIPPING WEIGHT - kg		572	
SLAT CRATE SHIPPING WEIGHT - kg		628	
****AGENCY APPROVALS		cETL-US, CE	

*Overall depth includes vacuum breaker to door handle.

**High, Very High, and Ultra High Spin Speeds are available on the Aries Micro OPL models only.

***Circuit breaker and amp draw data shown are for models without electric heat. Consult factory for other configurations. Manufacturer strongly recommends using a circuit breaker instead of fuses. Use 3-pole circuit breakers for 3-phase machines.

****Agency approvals may vary depending on configuration. Consult factory for details. Steam connection requires 1/2" N.P.T.

For the most accurate information, the installation guide should be used for all design and construction purposes. Due to continuous product improvements, design and specifications subject to change without notice. The quality management system of Alliance Laundry Systems has been registered to ISO 9001.

Aries Micro OPL

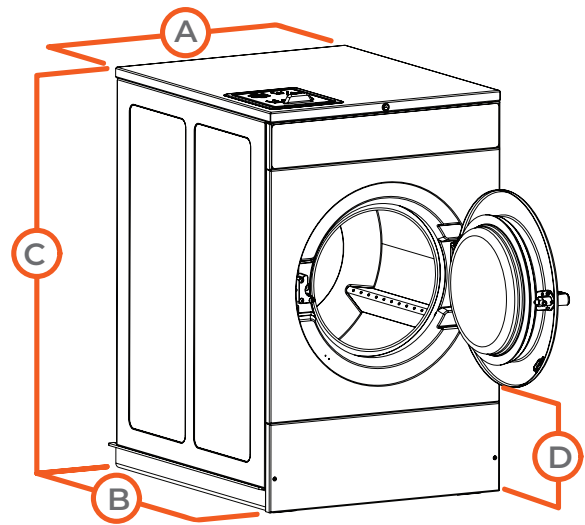


Customize your washing power with the ability to choose between three water levels while eliminating wasted water with advanced leak detection. PC programming, audit data retrieval and advanced diagnostics save time, while 200 G-Force extraction speeds reduce drying time and utility consumption.

Aries Micro VEND



For laundry managers requiring basic management options, Aries Micro VEND offers a 100 or 200 G-Force extraction speed, 4 cycle selections, 30 water levels, 2 cycle modifiers (Extra wash, Extra rinse) and manual programming.



MODEL	BC80
A. OVERALL WIDTH - mm	1054
B. *OVERALL DEPTH - mm	1234
C. OVERALL HEIGHT - mm	1426
D. DOOR BOTTOM TO FLOOR - mm	455



HIGH-EFFICIENT HARD-MOUNT INDUSTRIAL WASHER-EXTRACTOR

BC100

45KG

Maximized throughput, minimized costs. That's what busy on-premises laundries demand. IPSO hard-mount washer-extractors deliver those results, while producing exceptional finished wash quality. In addition, their durability ensures the machines will be consistent laundry performers for years to come.

STRENGTH

Our computer-optimized, heavy-duty frame is lighter, lasts longer, balances loads more efficiently, and reduces sound and vibration levels. IPSO washer-extractors also boast two triple-lip seals and an excluder-face seal for seven layers of bearing protection.

POWER

Proprietary inverter-drive technology provides smooth, reliable power, saving you 33% on electricity while maximizing cleaning power. Our inverter also exerts 200 G-Force extraction to remove more moisture from loads and reduce drying time.

PERFORMANCE

Available in a variety of capacities. IPSO cabinet hard-mount washer-extractors also offer a variety of control options to match your operation's unique requirements.



MODEL		BC100	
CONTROL OPTION		Aries Micro OPL Aries Micro VEND	
CAPACITY - kg		45	
OVERALL WIDTH - mm		1054	
*OVERALL DEPTH - mm		1336	
OVERALL HEIGHT - mm		1426	
CYLINDER DIAMETER - mm		916	
CYLINDER DEPTH - mm		610	
CYLINDER VOLUME - liters		434	
DOOR OPENING SIZE - mm		470	
DOOR BOTTOM TO FLOOR - mm		455	
WATER INLET CONNECTION - mm		19	
DRAIN DIAMETER - mm		76	
DRAIN HEIGHT TO FLOOR - mm		145	
MOTOR POWER CONSUMPTION - hp (kw)		5 (3.7)	
TOTAL # OF SPEEDS		6, 9	
CYLINDER SPEEDS - RPM (G-FORCE)	Gentle	28 (0.4)	
	Wash	39 (.8)	
	Distribution	70 (2.5)	
	Very Low	230 (27)	
	Low	396 (80)	
	Medium	443 (100)	
	** High	495 (120)	
	**Very High	542 (150)	
	**Ultra High	568 (165)	
*** VOLTAGE/ CIRCUIT BREAKER - FLA	X	200-208/220- 240/50/60/1/3	20-16 (1 Ph) 15-10 (3 Ph)
	Q	200-208/220-240/50/60/3	15-10
	N	440-480/50/60/3	15-7
	P	380-415/50/60/3	15-7
SHIPPING DIMENSIONS APPROX. - mm	Width	1118	
	Depth	1486	
	Height	1488	
NET WEIGHT - kg		572	
SHIPPING WEIGHT - kg		594	
SLAT CRATE SHIPPING WEIGHT - kg		651	
****AGENCY APPROVALS		cETL _{US}	

*Overall depth includes vacuum breaker to door handle.

**High, Very High, and Ultra High Spin Speeds are available on the Aries Micro OPL models only.

***Circuit breaker and amp draw data shown are for models without electric heat. Consult factory for other configurations. Manufacturer strongly recommends using a circuit breaker instead of fuses. Use 3-pole circuit breakers for 3-phase machines.

****Agency approvals may vary depending on configuration. Consult factory for details. Steam connection requires 1/2" N.P.T.

For the most accurate information, the installation guide should be used for all design and construction purposes. Due to continuous product improvements, design and specifications subject to change without notice. The quality management system of Alliance Laundry Systems has been registered to ISO 9001.

Aries Micro OPL

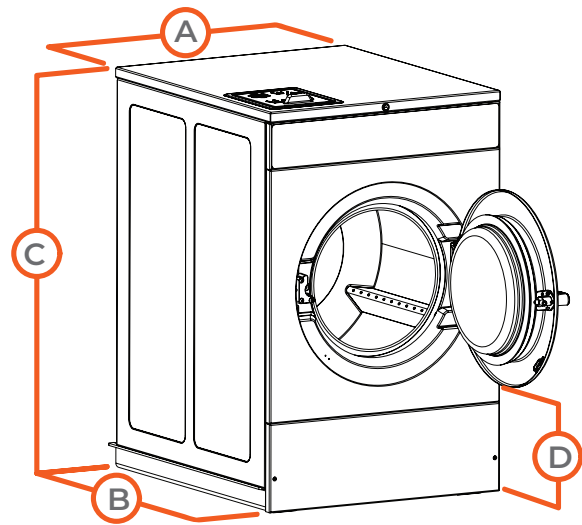


Customize your washing power with the ability to choose between three water levels while eliminating wasted water with advanced leak detection. PC programming, audit data retrieval and advanced diagnostics save time, while 200 G-Force extraction speeds reduce drying time and utility consumption.

Aries Micro VEND



For laundry managers requiring basic management options, Aries Micro VEND offers a 100 or 200 G-Force extraction speed, 4 cycle selections, 30 water levels, 2 cycle modifiers (Extra wash, Extra rinse) and manual programming.



MODEL	BC100
A. OVERALL WIDTH - mm	1054
B. *OVERALL DEPTH - mm	1336
C. OVERALL HEIGHT - mm	1426
D. DOOR BOTTOM TO FLOOR - mm	455

По вопросам продажи и поддержки обращайтесь:

Архангельск (8182)63-90-72
Астрахань (8512)99-46-04
Барнаул (3852)73-04-60
Белгород (4722)40-23-64
Брянск (4832)59-03-52
Владивосток (423)249-28-31
Волгоград (844)278-03-48
Вологда (8172)26-41-59
Воронеж (473)204-51-73
Екатеринбург (343)384-55-89
Иваново (4932)77-34-06

Ижевск (3412)26-03-58
Иркутск (395)279-98-46
Казань (843)206-01-48
Калининград (4012)72-03-81
Калуга (4842)92-23-67
Кемерово (3842)65-04-62
Киров (8332)68-02-04
Краснодар (861)203-40-90
Красноярск (391)204-63-61
Курск (4712)77-13-04
Липецк (4742)52-20-81

Магнитогорск (3519)55-03-13
Москва (495)268-04-70
Мурманск (8152)59-64-93
Набережные Челны (8552)20-53-41
Нижний Новгород (831)429-08-12
Новокузнецк (3843)20-46-81
Новосибирск (383)227-86-73
Омск (3812)21-46-40
Орел (4862)44-53-42
Оренбург (3532)37-68-04
Пенза (8412)22-31-16

Пермь (342)205-81-47
Ростов-на-Дону (863)308-18-15
Рязань (4912)46-61-64
Самара (846)206-03-16
Санкт-Петербург (812)309-46-40
Саратов (845)249-38-78
Севастополь (8692)22-31-93
Симферополь (3652)67-13-56
Смоленск (4812)29-41-54
Сочи (862)225-72-31
Ставрополь (8652)20-65-13

Сургут (3462)77-98-35
Тверь (4822)63-31-35
Томск (3822)98-41-53
Тула (4872)74-02-29
Тюмень (3452)66-21-18
Ульяновск (8422)24-23-59
Уфа (347)229-48-12
Хабаровск (4212)92-98-04
Челябинск (351)202-03-61
Череповец (8202)49-02-64
Ярославль (4852)69-52-93

Киргизия (996)312-96-26-47

Казахстан (7273)495-231

Таджикистан (992)427-82-92-69

Единый адрес для всех регионов: psq@nt-rt.ru || <https://ipso.nt-rt.ru/>